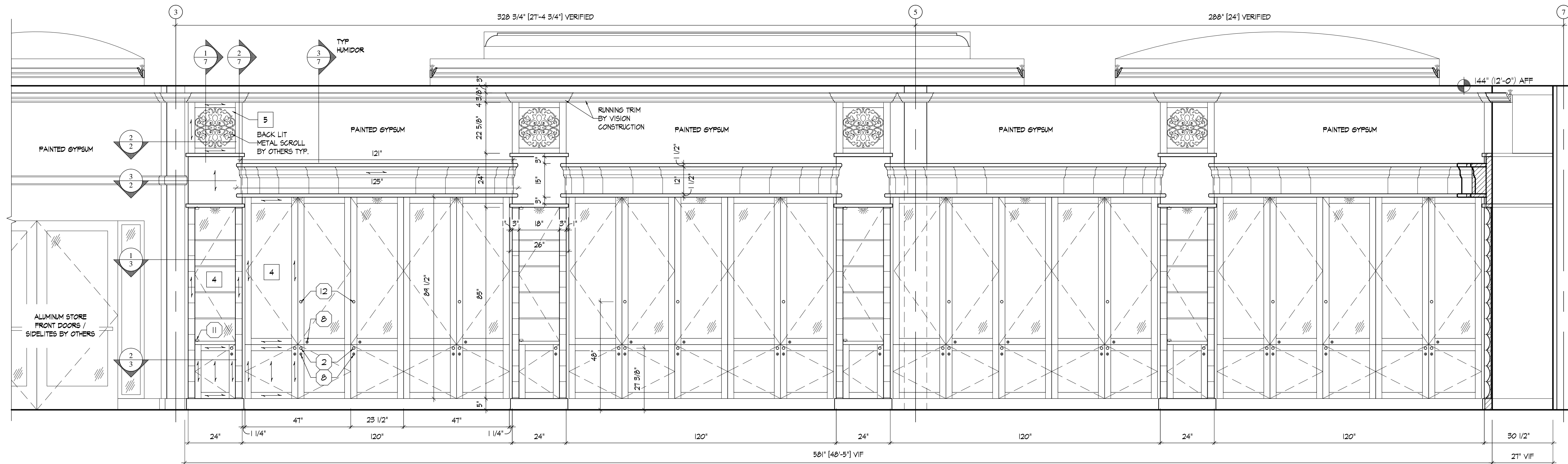


1 KEY PLAN: GROUND LEVEL
 SCALE: 1/4" = 12" ARCH. REF.: -

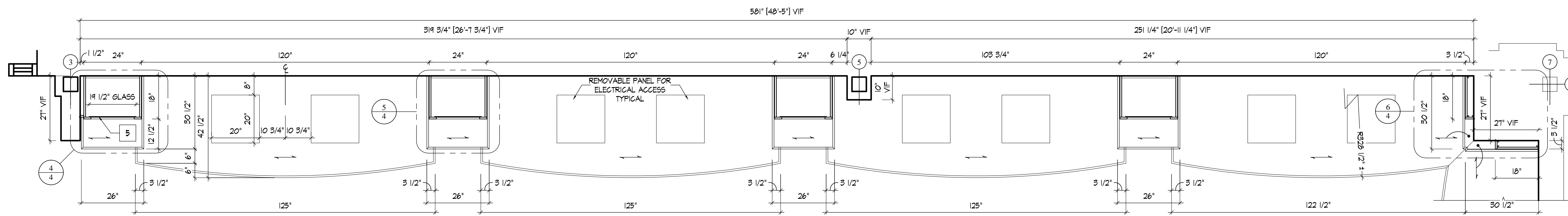
RETAIL

blacks outsourcing, inc.
 Architectural Woodwork Engineering
 Our business is drawing yours



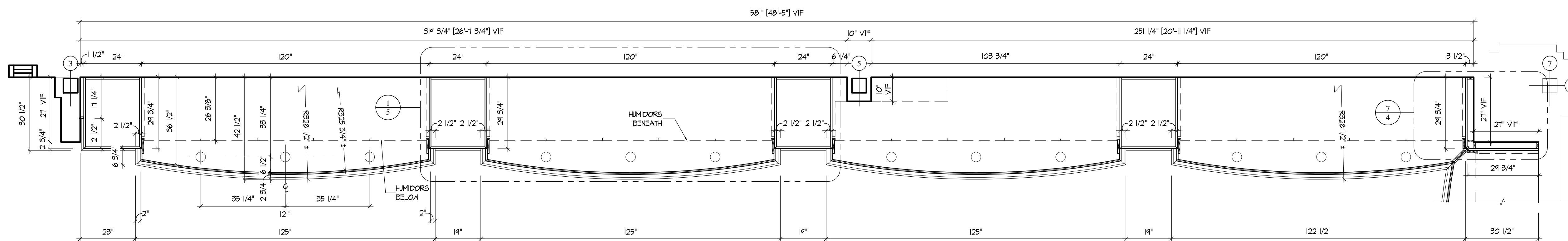
1 ALL EXPOSED UNO.

1 ELEVATION
2 SCALE: 1/2" = 12" ARCH. REF.: -



1 ALL EXPOSED UNO.

2 PLAN SECTION
2 SCALE: 1/2" = 12" ARCH. REF.: -

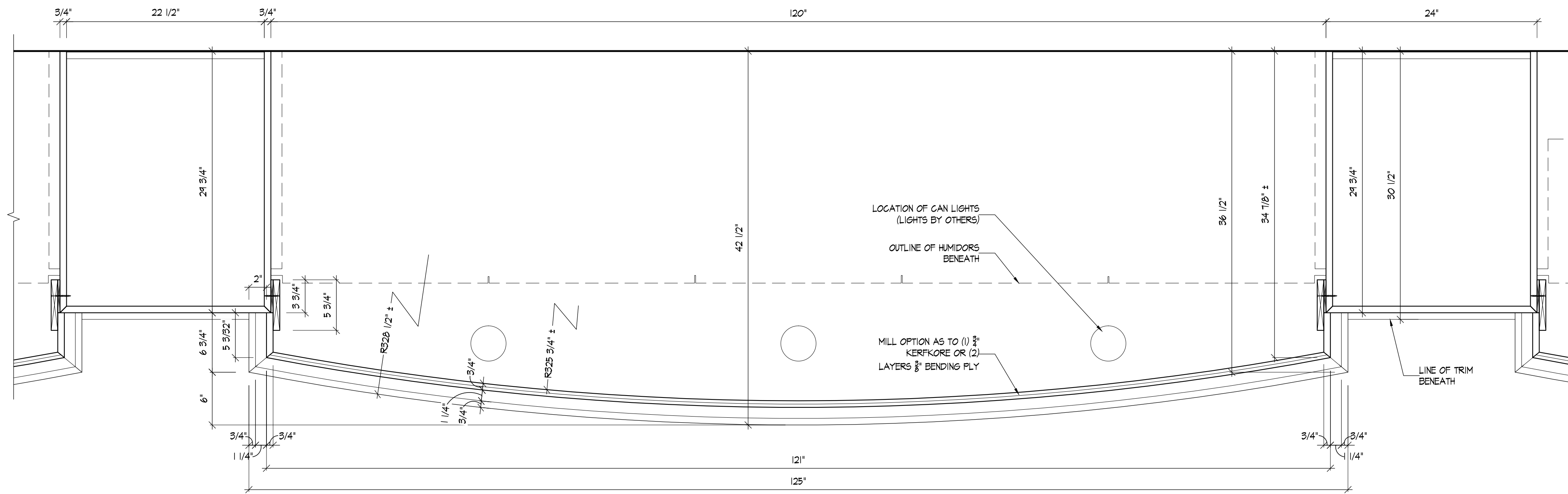


1 ALL EXPOSED UNO.

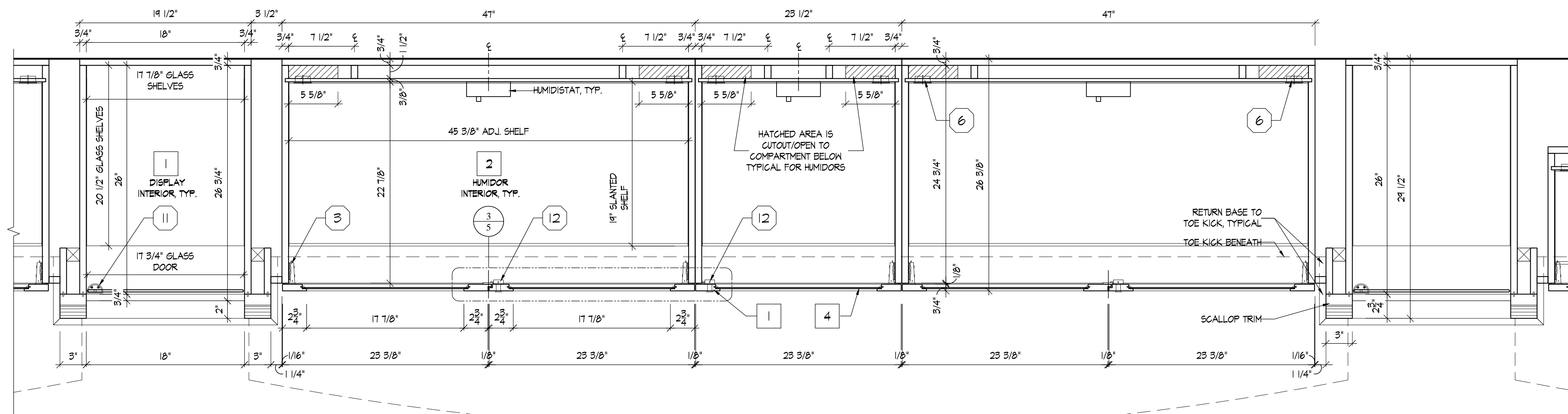
3 PLAN SECTION
2 SCALE: 1/2" = 12" ARCH. REF.: -

RETAIL

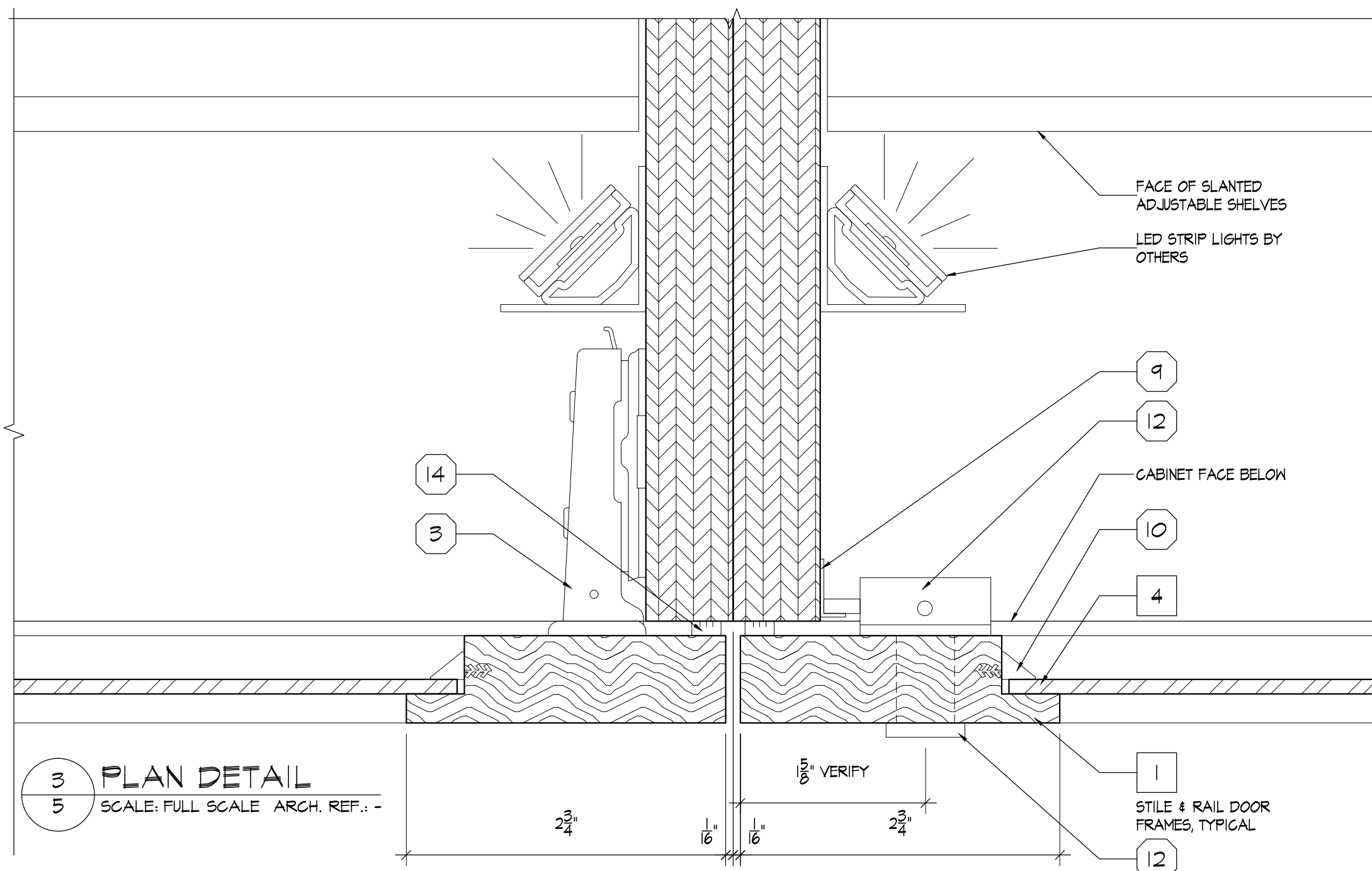
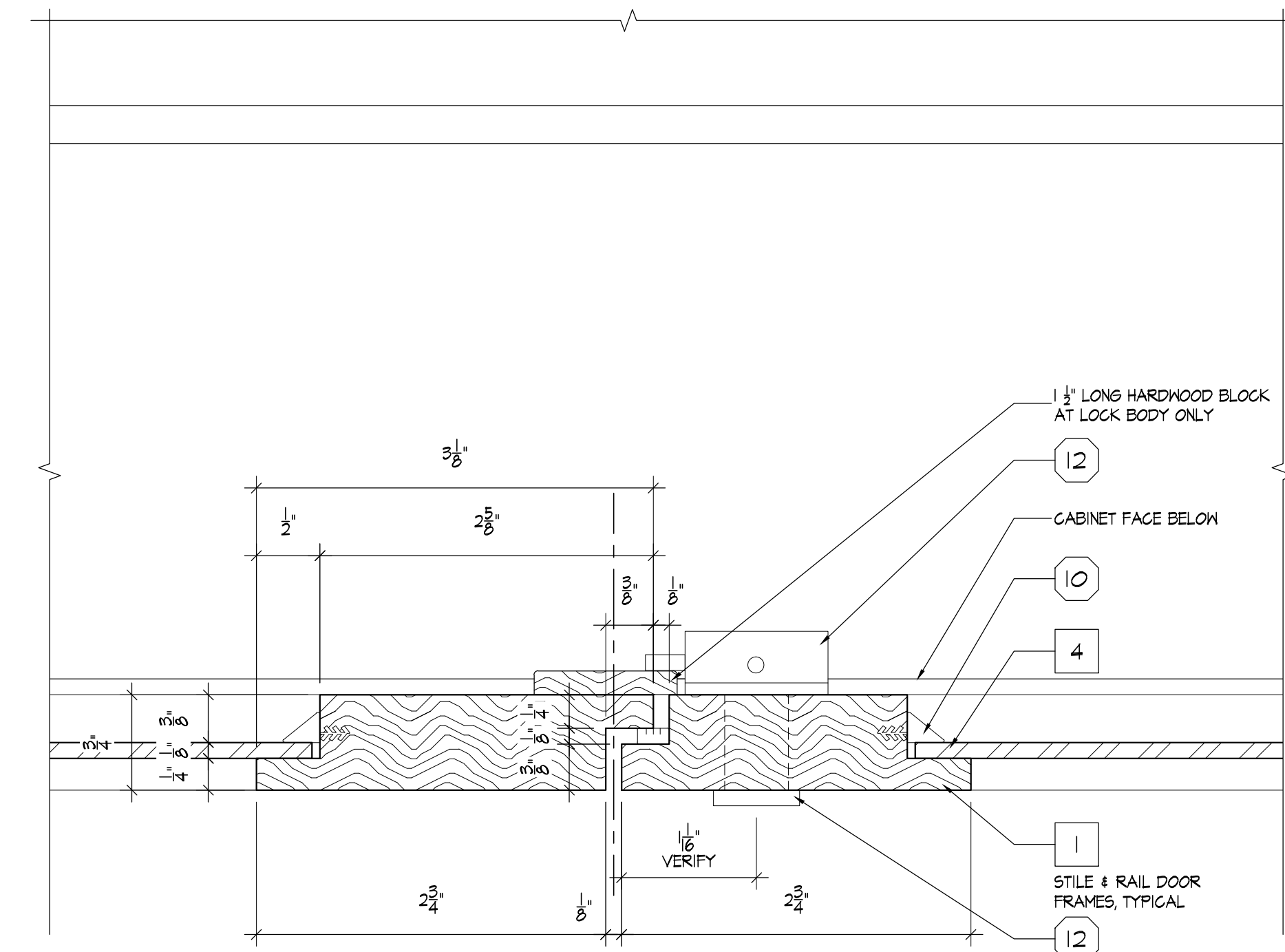
blacks outsourcing, inc.
Architectural Woodwork Engineering
Our business is drawing yours



1 PLAN DETAIL
5 SCALE: 1 1/2" = 12" ARCH. REF.: -

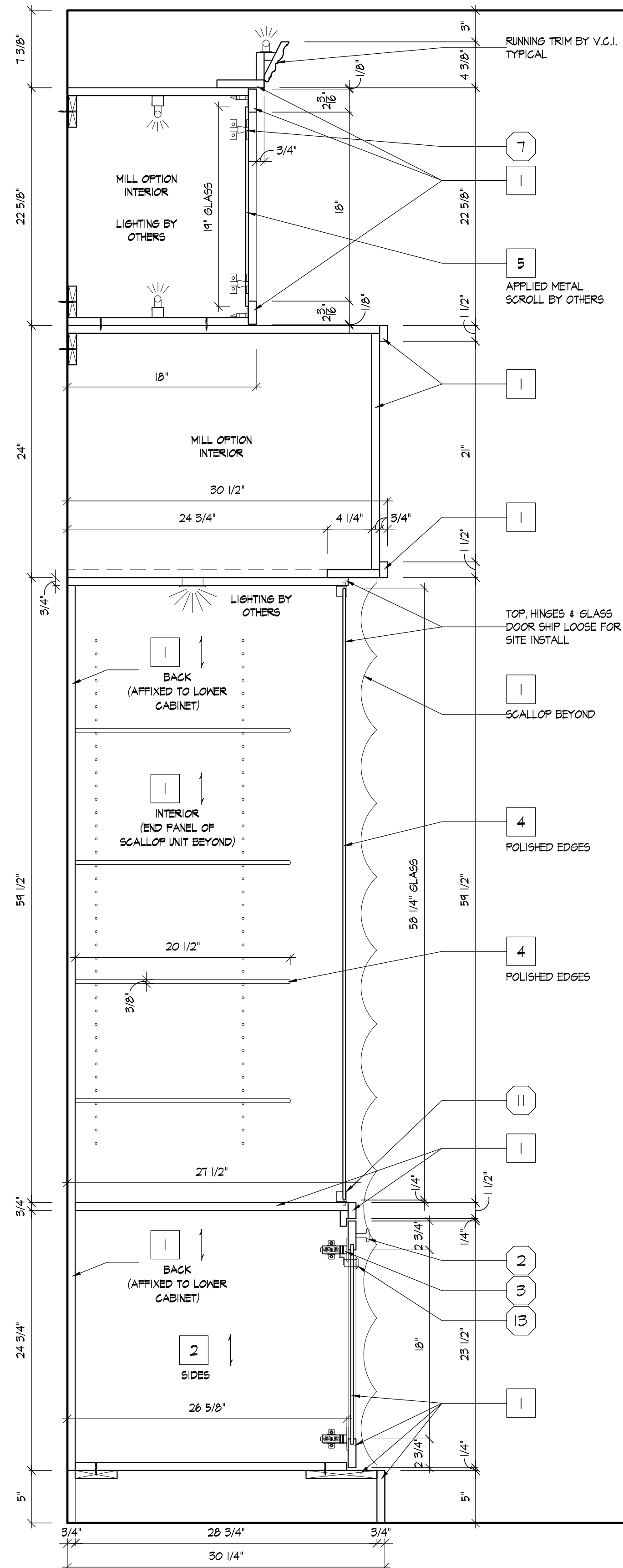


2 PLAN DETAIL
5 SCALE: 1 1/2" = 12" ARCH. REF.: -

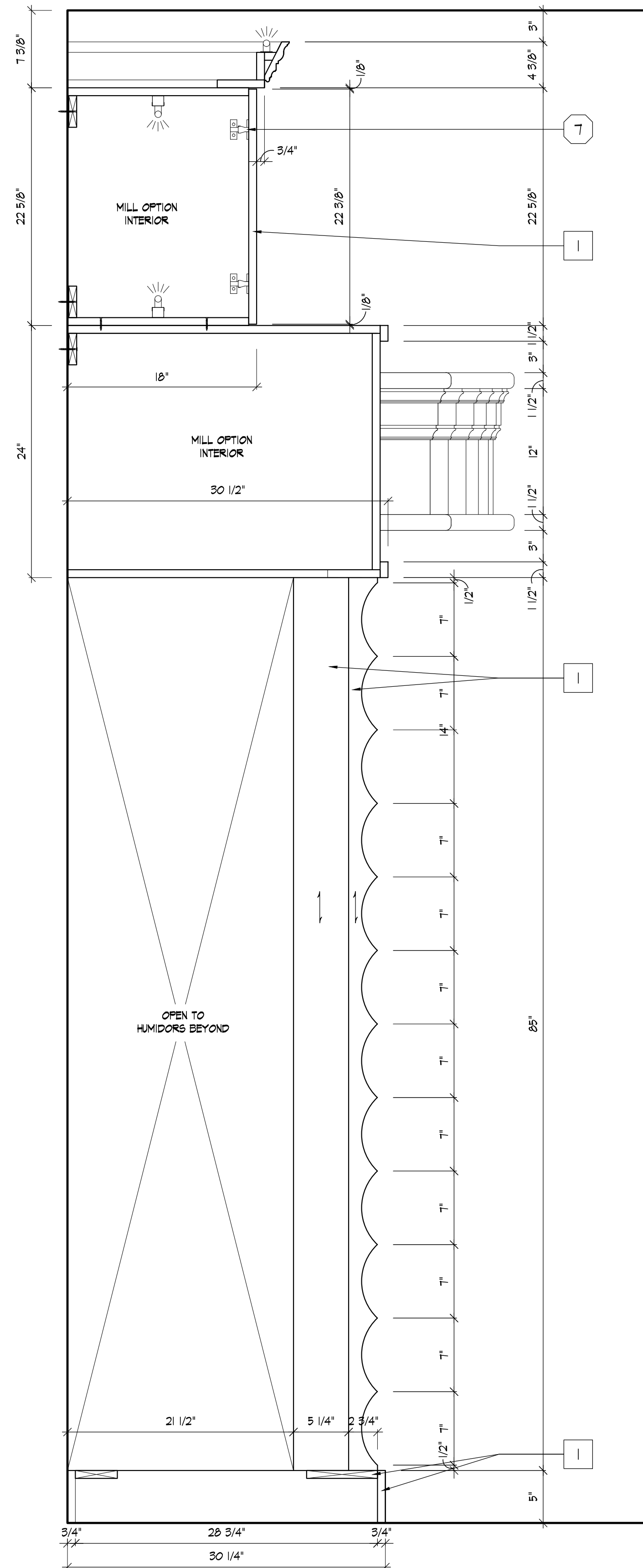


3 PLAN DETAIL
5 SCALE: FULL SCALE ARCH. REF.: -

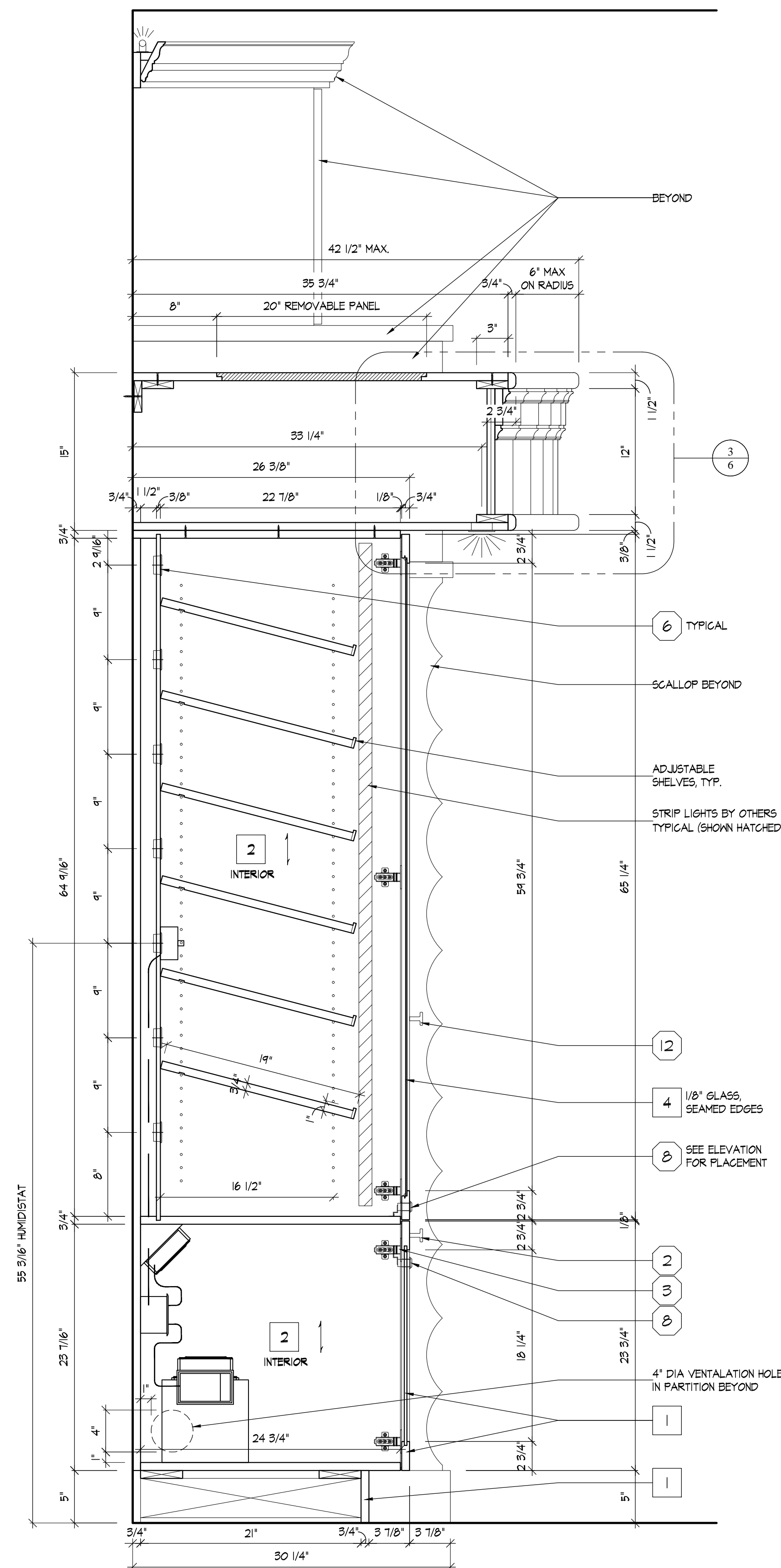
RETAIL



1 SECTION ELEVATION
SCALE: 1 1/2" = 12" ARCH. REF.: -



2 SECTION ELEVATION
SCALE: 1 1/2" = 12" ARCH. REF.: -



3 SECTION ELEVATION
SCALE: 1 1/2" = 12" ARCH. REF.: -

- HAFELE PUSH BUTTON ESPAGNOLETTE LOCK SYSTEM:
PART NUMBER BREAKDOWN PER SINGLE CABINET DOOR:
1 PC: 225.22.603 - PUSH LOCK MECHANISM, NICKEL PLATED, MATTE
1 PC: 229.01.671 - PUSH BUTTON KNOW, NICKEL PLATED, MATTE
1 PC: 229.03.626 - ROSETTE (3/4" DOOR), NICKEL PLATED, MATTE
1 PC: 226.07.204 - PROFILE ROD (18" LONG), NICKEL PLATED, MATTE
1 PC: 239.15.196 - ROD GUIDE (UPPER ROD), NICKEL PLATED, MATTE
2 PCS: 226.51.108 - LOCKING BOLT, NICKEL PLATED, MATTE

RETAIL

blacks outsourcing, inc.
Architectural Woodwork Engineering
Our business is drawing yours