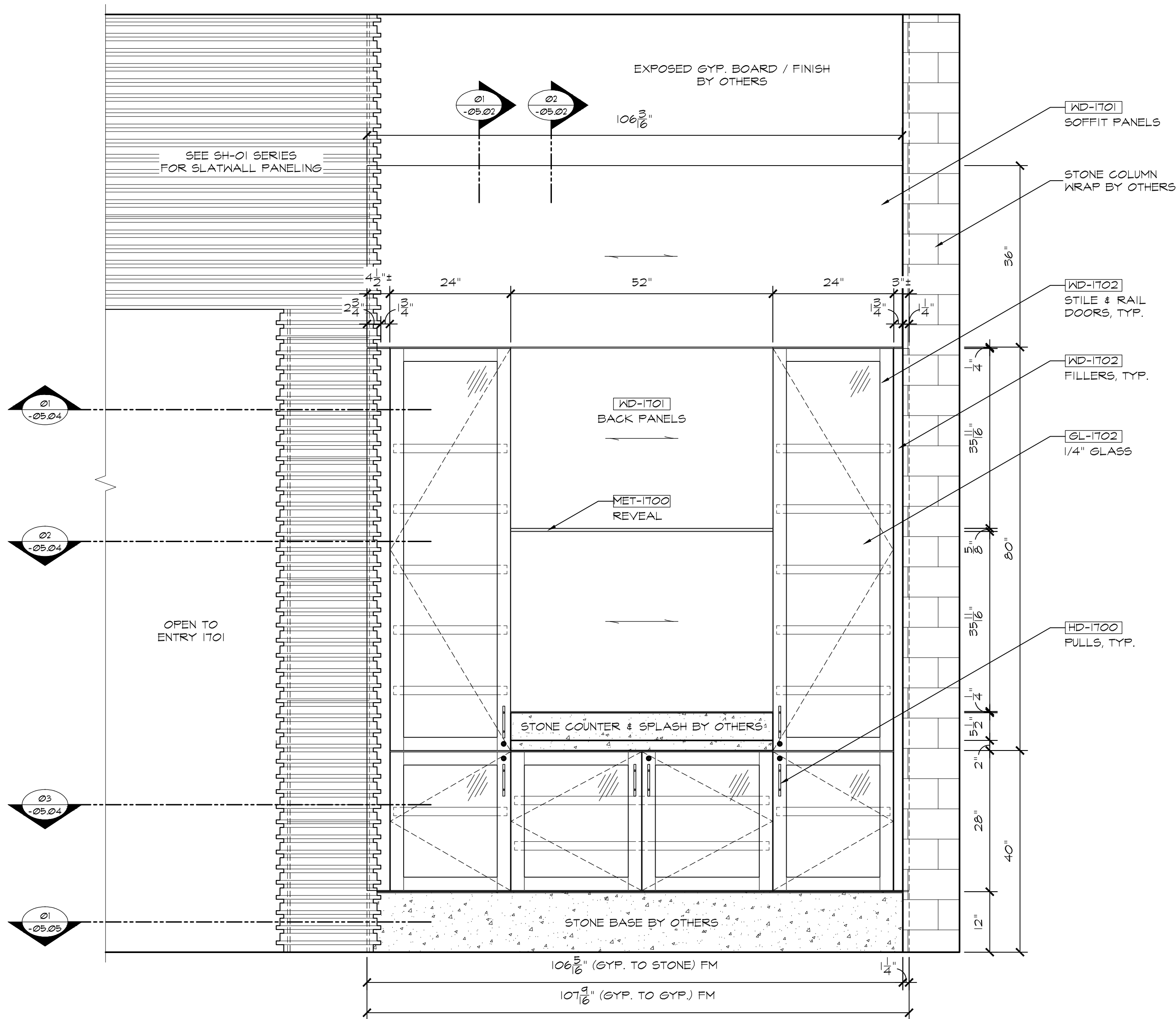


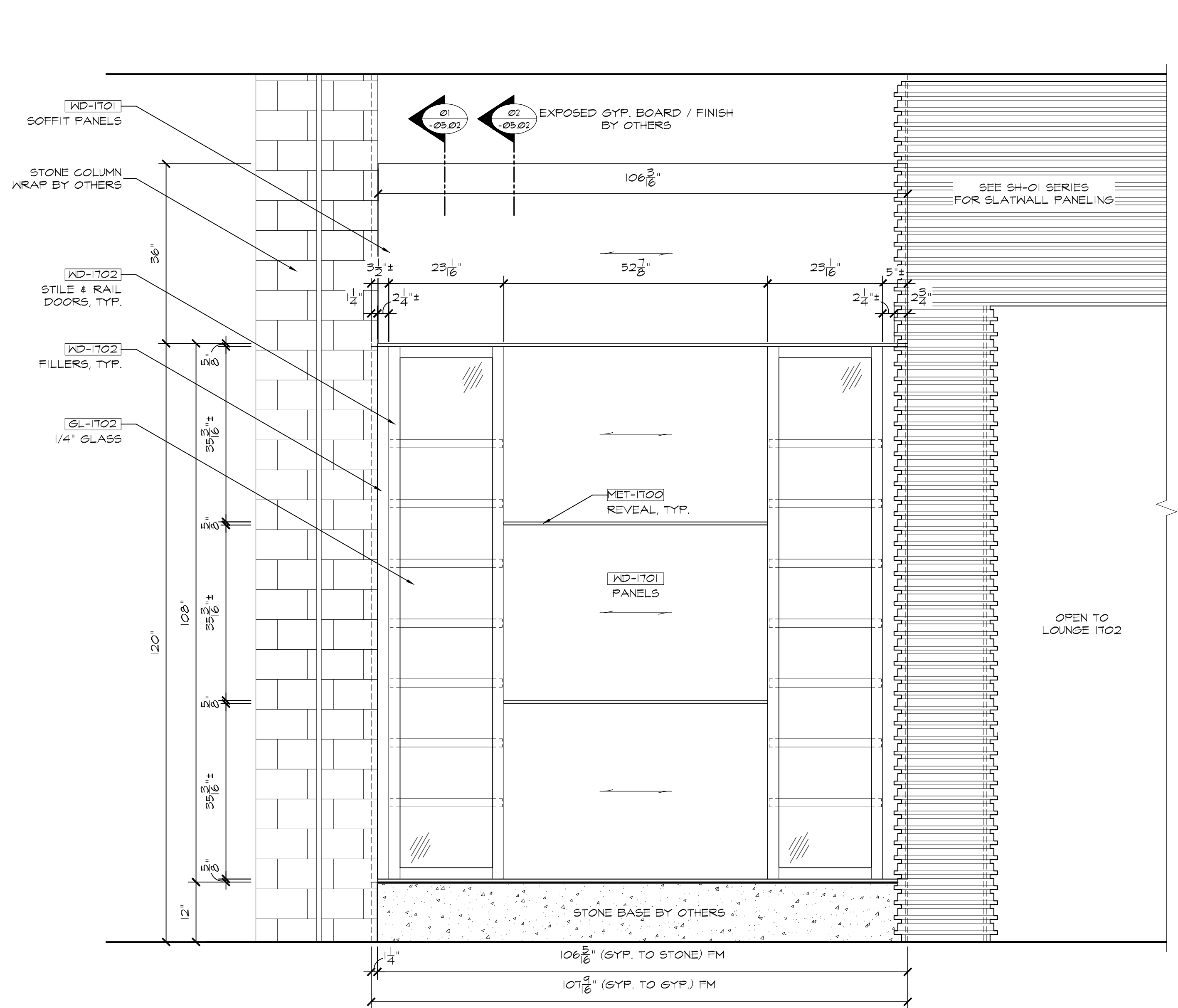
ENLARGED PLAN: HUMIDOR

REF: 3E/ID17.803 3/4" = 12" O1



ELEVATION:

REF: 3D/ID17.803 3/4" = 12" O2



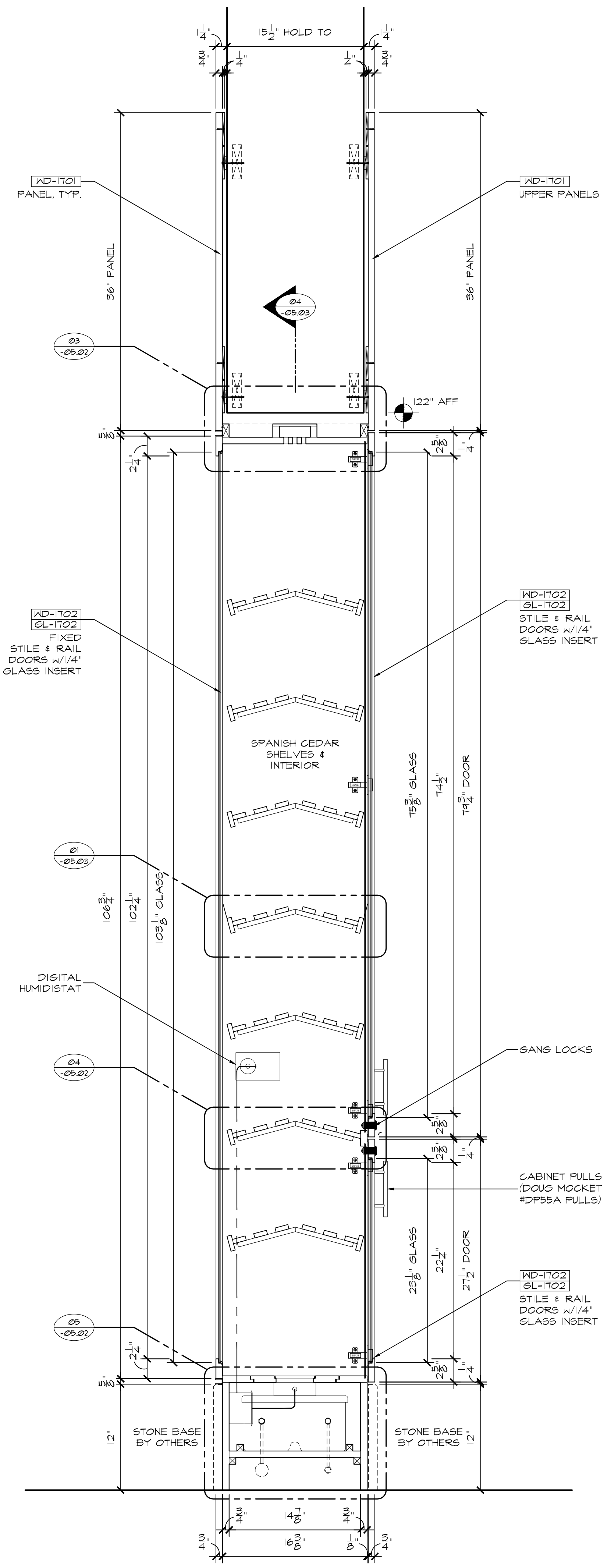
ELEVATION:

REF: 2C/ID17.803 3/4" = 12" O3

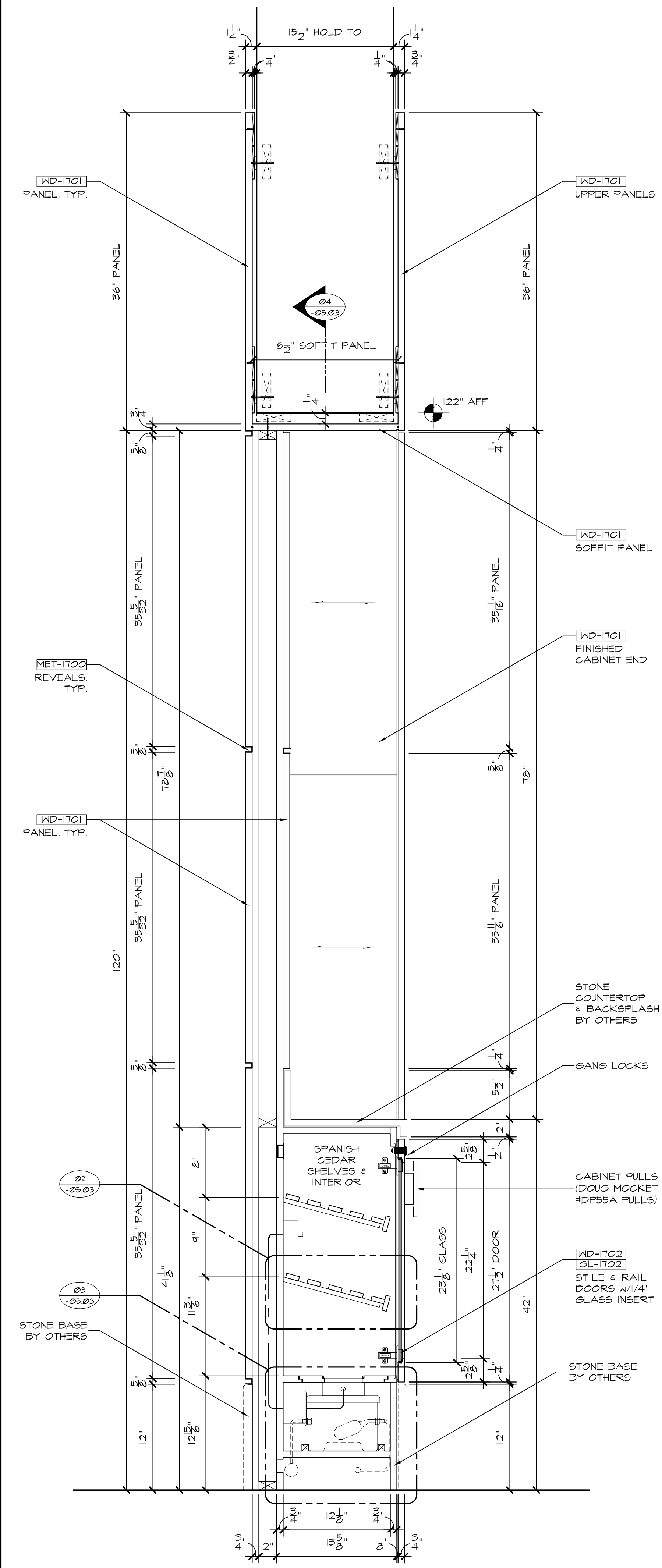
HOSPITALITY

blacks outsourcing, inc.
 Architectural Woodwork Engineering
 Our business is drawing yours

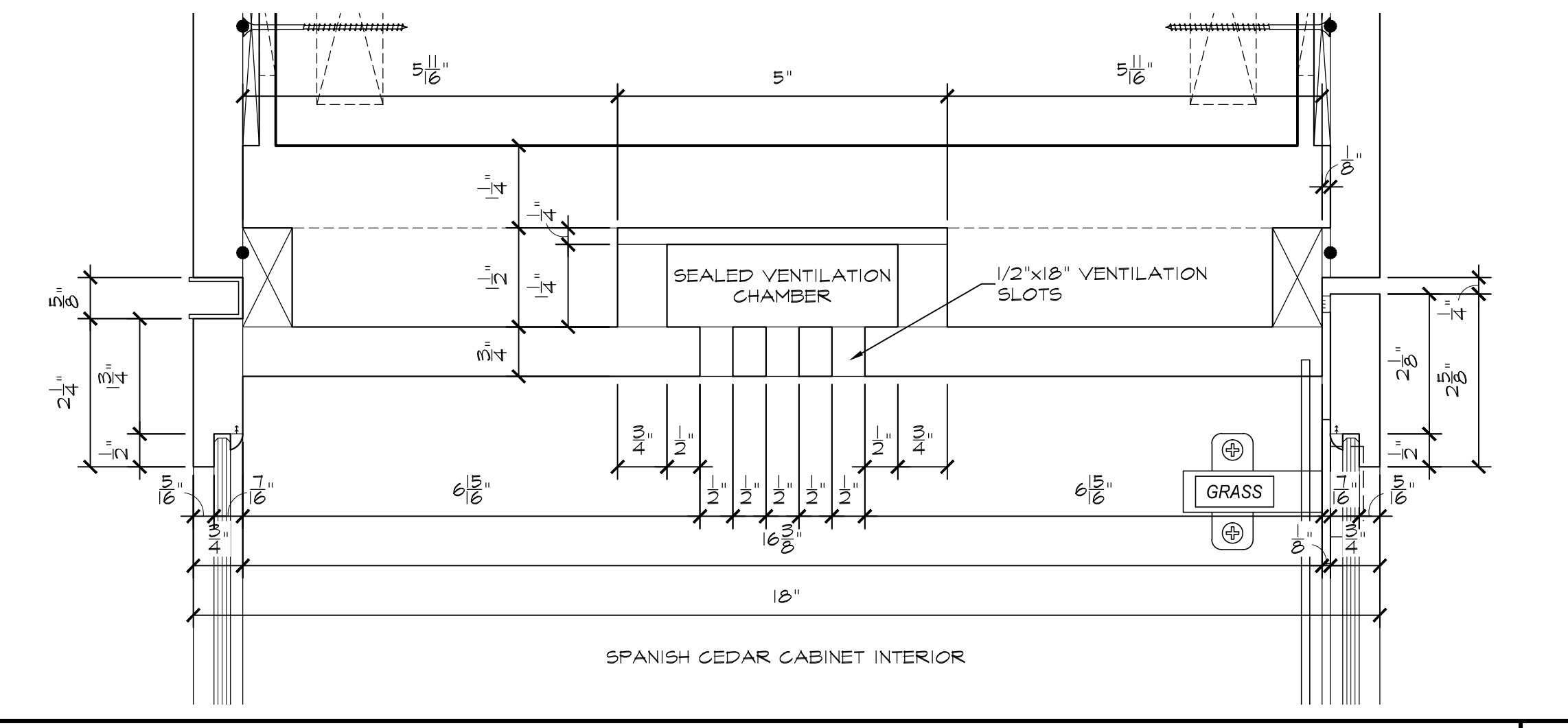
-05.01



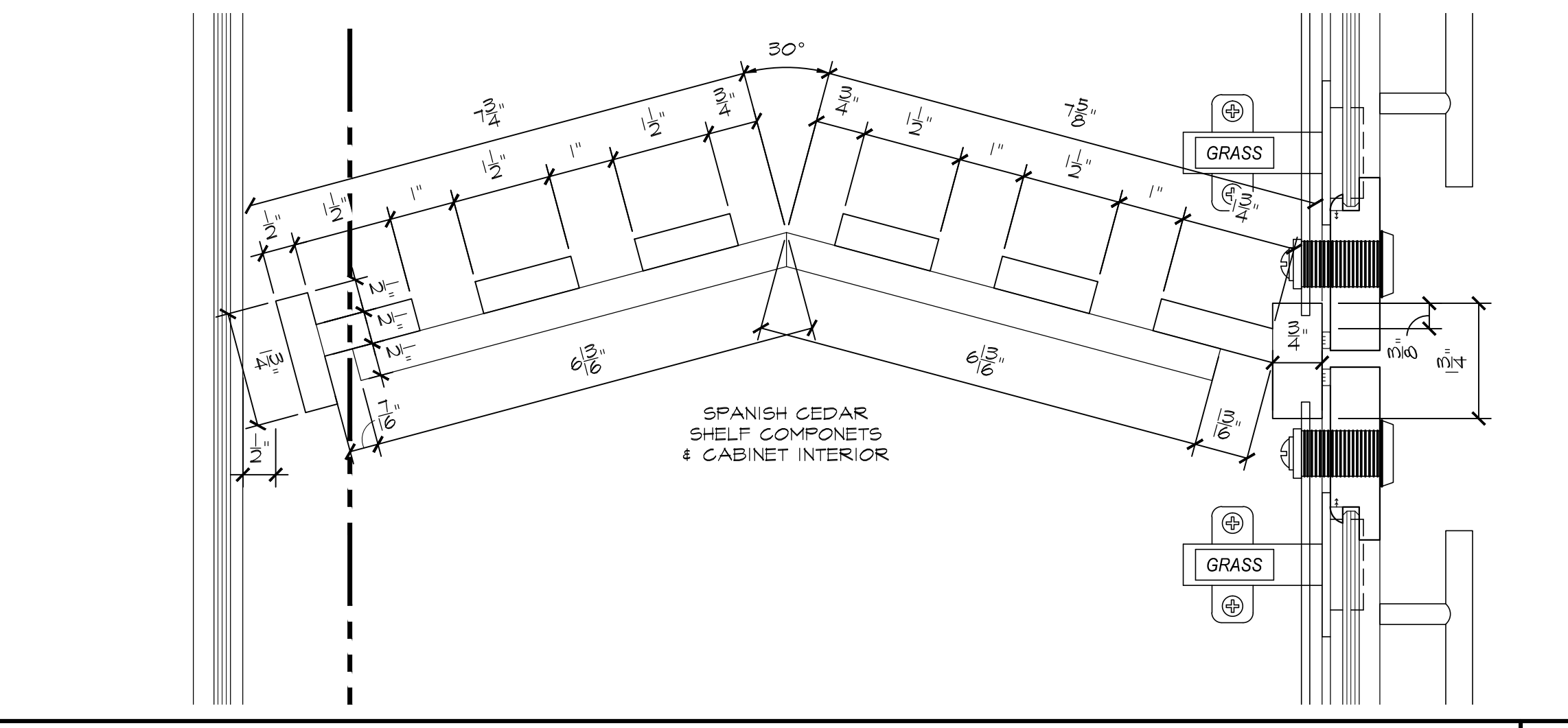
SECTION: REF: 2E/ID17.803 1/2" = 12" 01



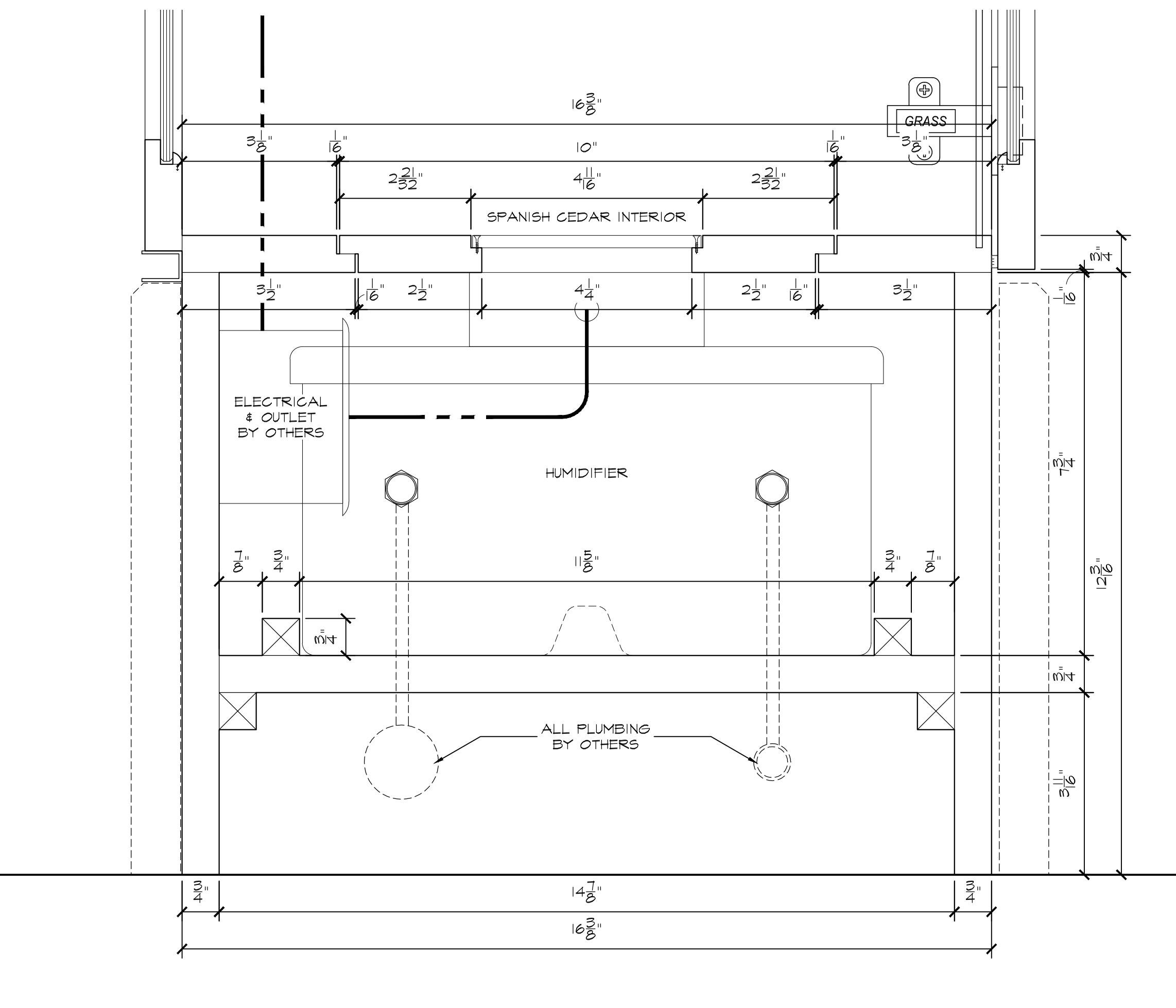
SECTION: REF: 1E/ID17.803 1/2" = 12" 02



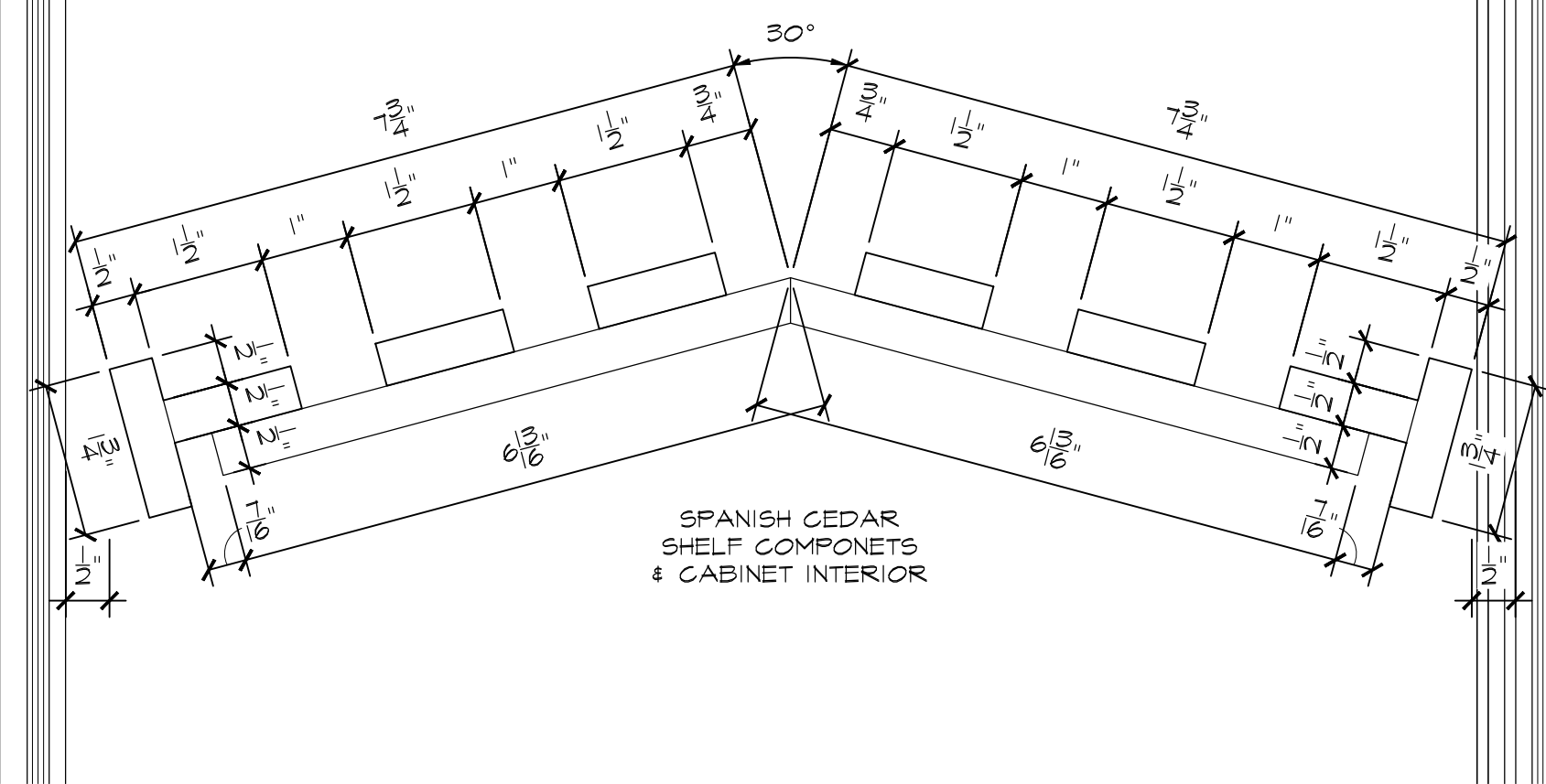
DETAIL: REF: -- 6" = 12" 03



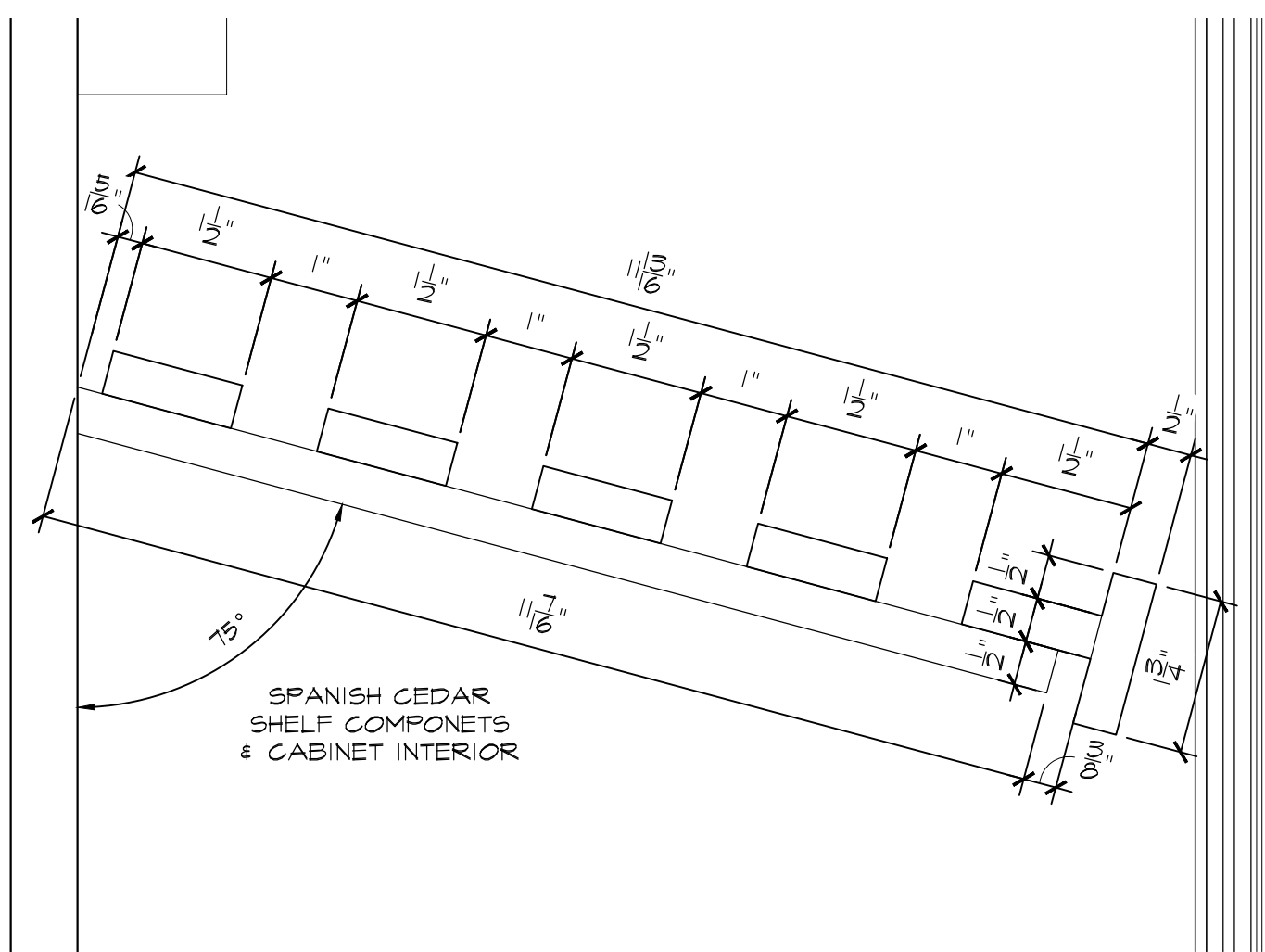
DETAIL: REF: -- 6" = 12" 04



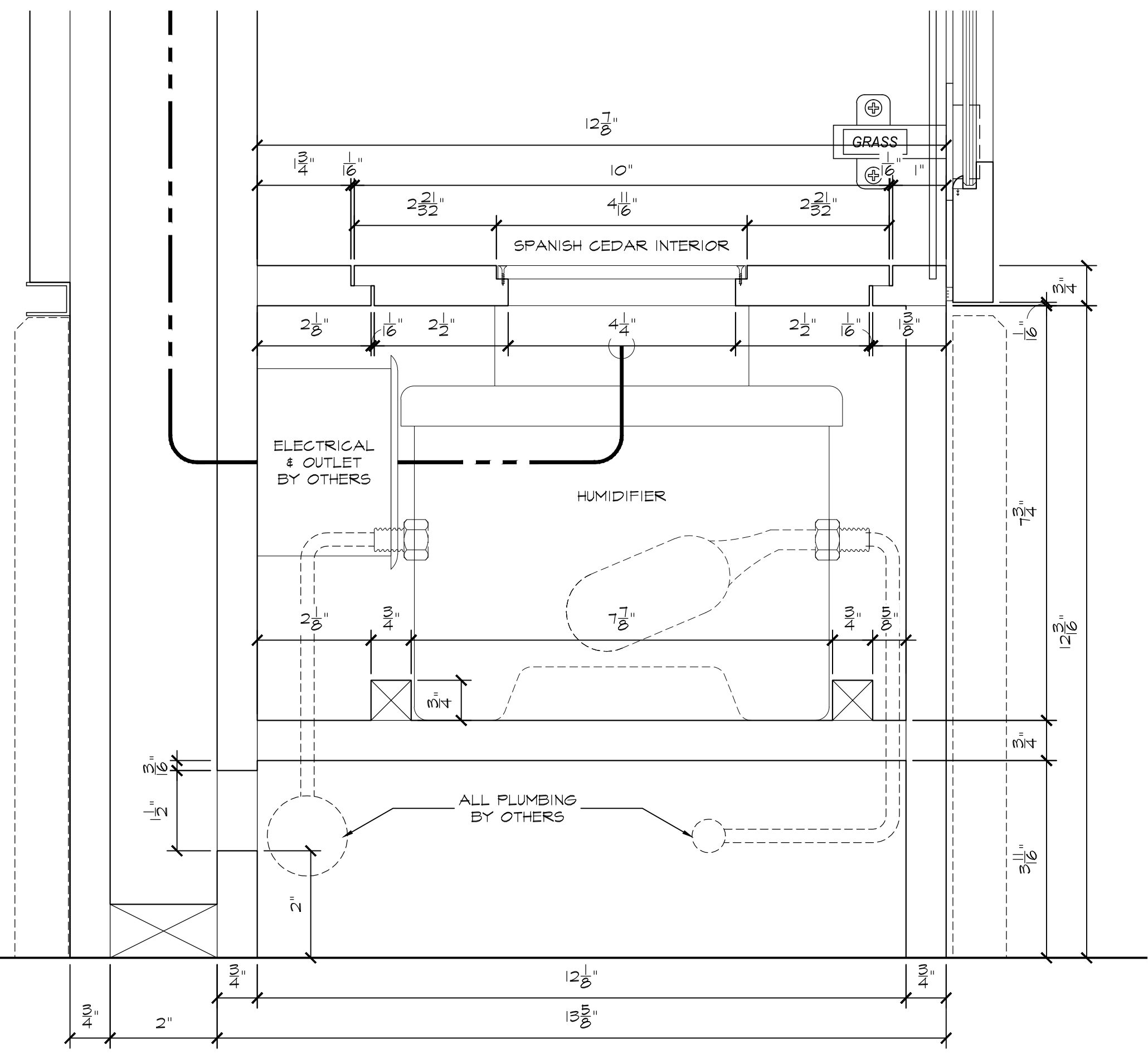
DETAIL: REF: -- 6" = 12" 05



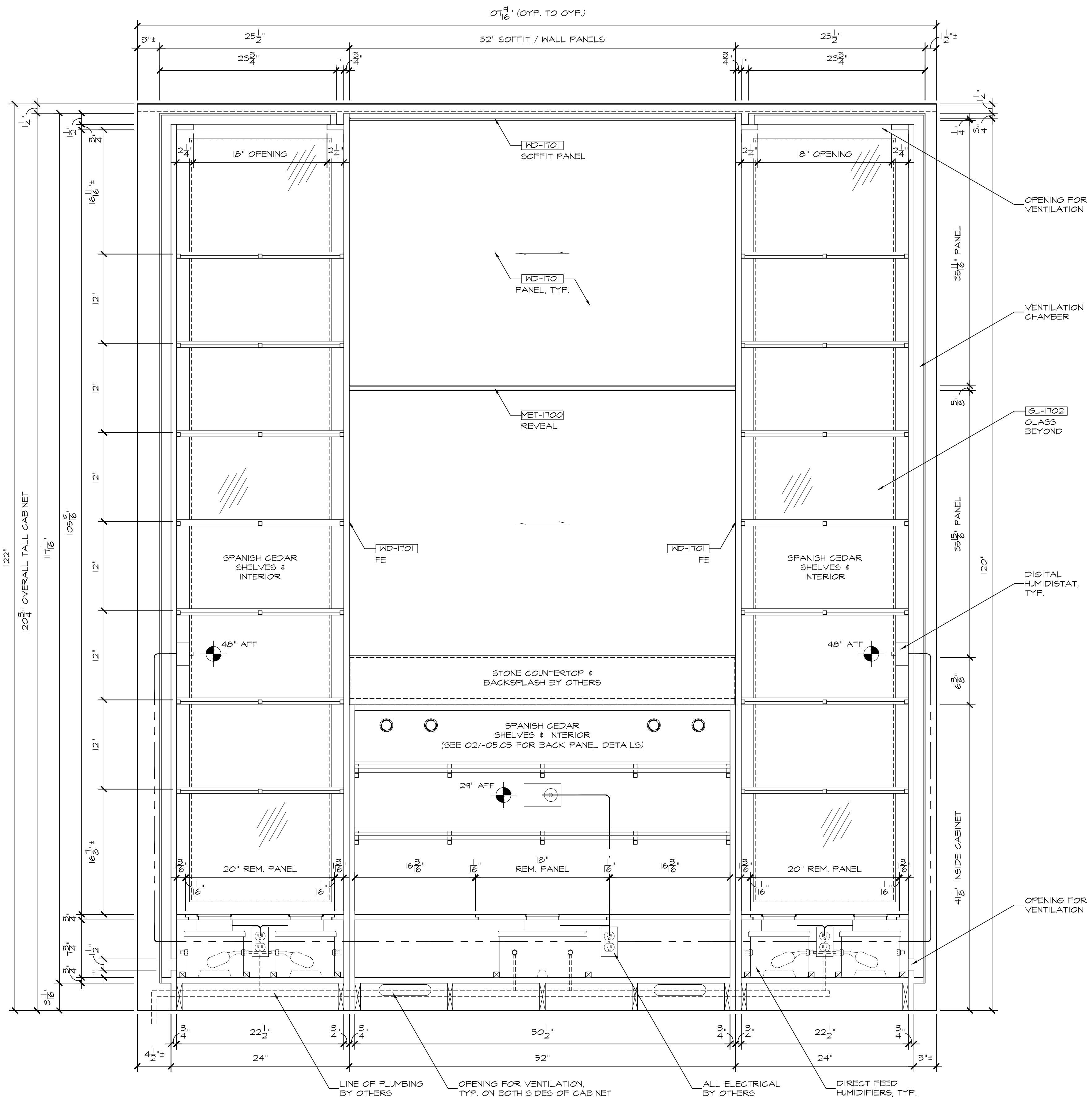
DETAIL: REF: 1A/ID17.803 6" = 12" 01



DETAIL: REF: 1A/ID17.803 6" = 12" 03



DETAIL: REF: -- 6" = 12" 03

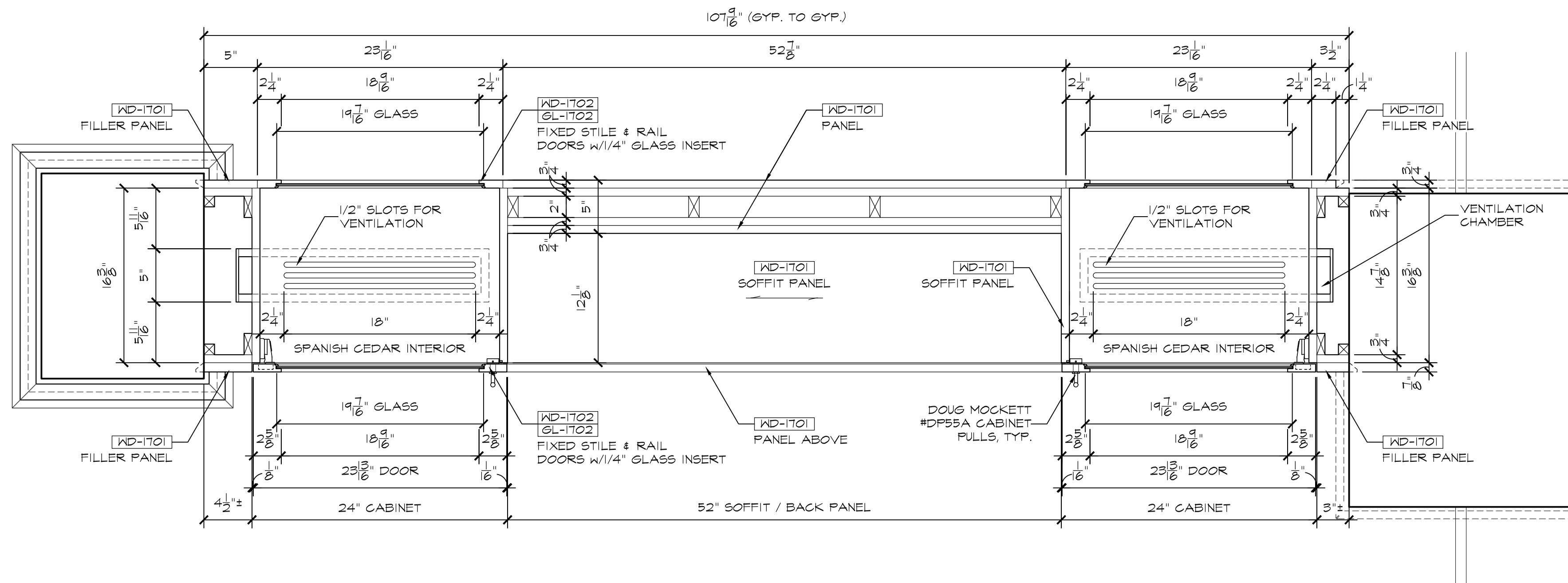


CROSS SECTION: REF: -- 1 1/2" = 12" 04

HOSPITALITY

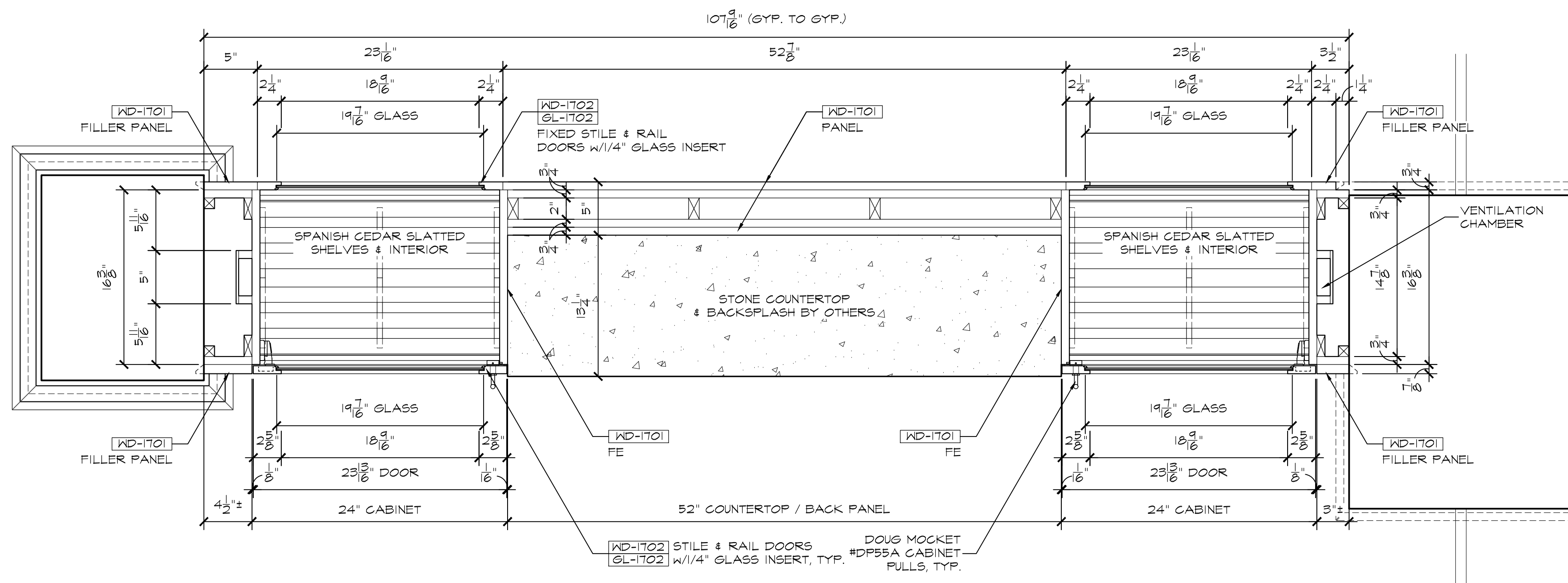
blacks outsourcing, inc.
 Architectural Woodwork Engineering
 Our business is drawing yours

-05.03



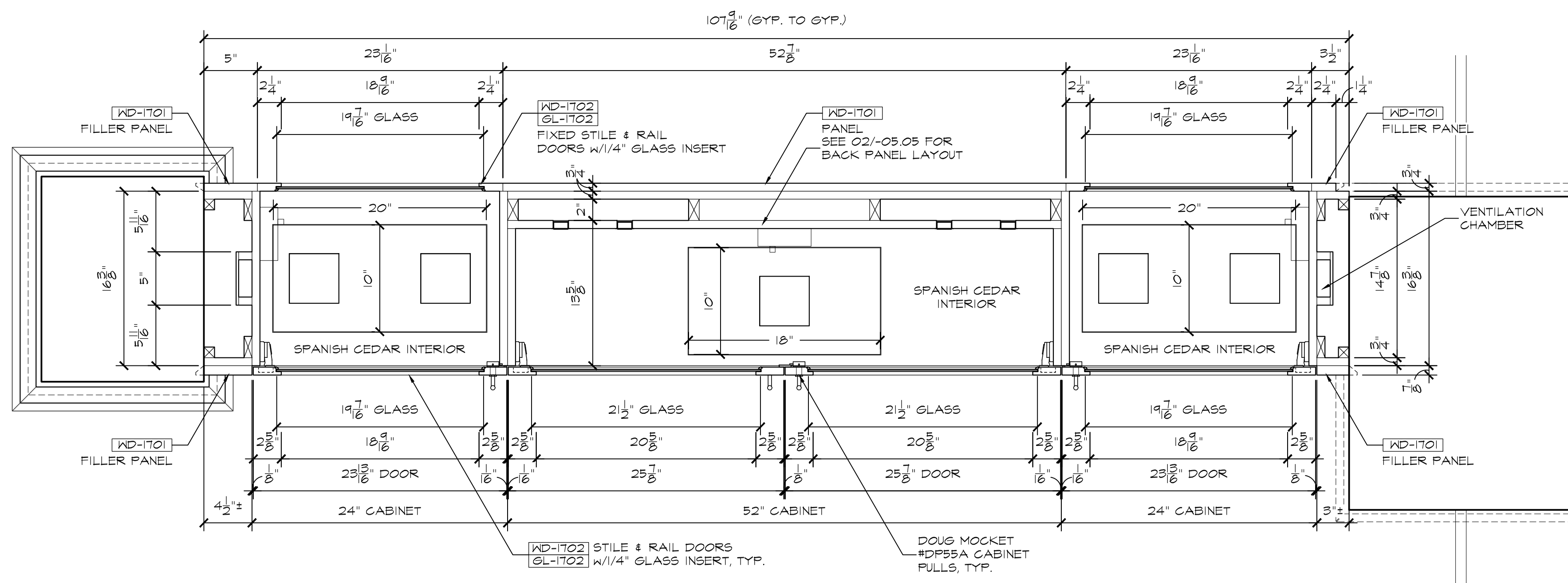
PLAN SECTION:

REF: -- 1/2" = 12" O1



PLAN SECTION:

REF: -- 1/2" = 12" O2



PLAN SECTION:

REF: -- 1/2" = 12" O3

HOSPITALITY

blacks outsourcing, inc.
 Architectural Woodwork Engineering
 Our business is drawing yours

-05.04